

Product Data Sheet



1MS103

Semi Conductor Fuse Holder 400 Amps, 600 Volts AC



Wire Range:

(2) 250 kcmil - #6 AWG Copper or Aluminum

Electrical Ratings:

- 400A max (amperage rating based on maximum fuse rating for that physical size)
- 600 Volts AC
- Approved for 200,000 Amp Withstand Rating

Mechanical Ratings:

- Maximum insulator base temperature: 150°C (302°F) UL RTI
- Storage and transportation temperature range: -35°C to 125°C (-31°F to 257°F)
- Flammability rating of insulator base: UL 94 V-0
 - Use outside these ratings needs to be judged in the end-use application.

Materials:

- Connector: High conductivity aluminum, tin plated
- Insulator base: phenolic
- Terminal set screws: Aluminum, tin plated and Steel, nickel plated
- Connector mounting screws: Steel, zinc plated
- Hex-head bolts: Steel, nickel plated (provided unassembled)
- Belleville washers: Steel, zinc plated (provided unassembled)

Agency Approvals:

- UL Listed, UL 512 Terminal Block Standard, File No. IZLT2.E35113
- CE compliant to IEC 60947-1
- RoHS Compliant

Wire Approvals:

Wire Range:

Wire Size	Torque	Copper Wire Stranding Classes - Number of Strands		
		Solid	Class B	Class C
250 kcmil	275 in. lbs		37	61
4/0	275 in. lbs		19	37
3/0	275 in. lbs		19	37
2/0	275 in. lbs		19	37
1/0	275 in. lbs		19	37
1	275 in. lbs		19	37
2	275 in. lbs		7	19
4	275 in. lbs		7	19
6	275 in. lbs		7	19

Aluminum stranded wire range: 250 kcmil – #6 AWG

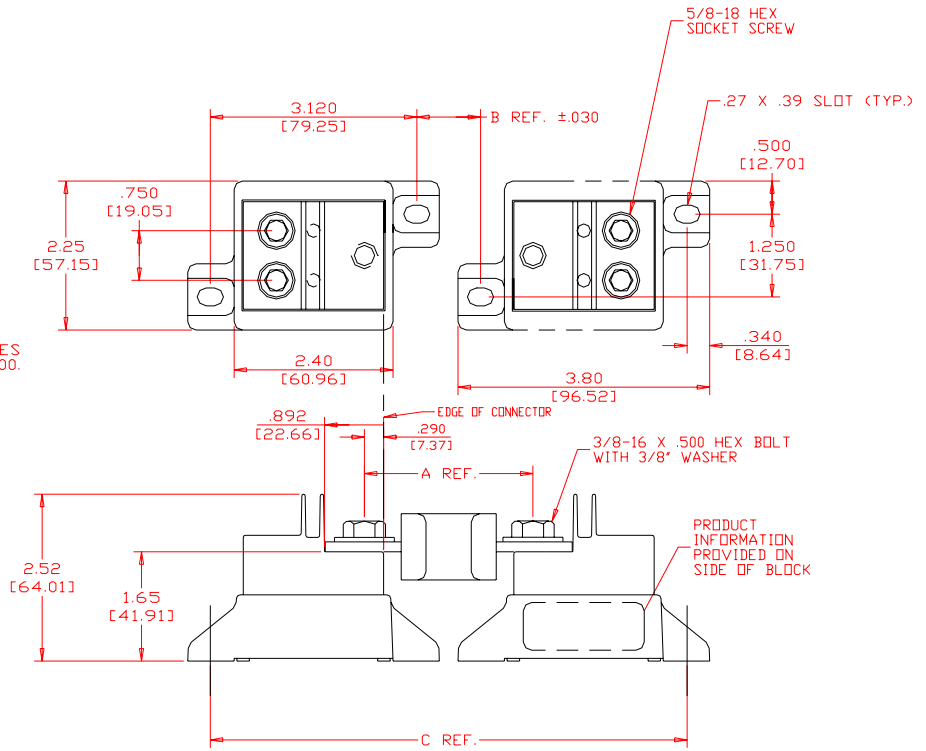
- Recommended fuse torque (on bolt): 120 in. lbs.
- Wire strip length: 1 1/8"
- Hex key required: 3/8"
- Panel mountable: #10 fastener, torque to 25-30 in. lbs

MOUNTING DIMENSIONS

FUSE	A REF.	B REF.	C ±.03
FBP 125-200	3.06	1.47	7.72
*FBP 250-400	4.03	2.44	8.70
L50S 201-400	3.28	1.69	7.94
L70S 101-200	4.03	2.44	8.69
*L70S 201-400	4.03	2.44	8.69
**L25S 201-700	2.78	1.19	7.44
JLLN 225-400	1.84	0.25	6.50
JLLS 225-400	2.72	1.13	7.38
KLC 101-200	4.35	2.76	9.01
L25S 61-200	2.78	1.19	7.44
L60S 225-400	4.06	2.47	8.73
L50S 225-400	3.38	1.69	7.94

*WHEN USED IN MULTIPLE POLE CONFIGURATIONS, 0.75" SHOULD BE MAINTAINED BETWEEN ADJACENT BLOCK BASES WHEN MOUNTING THE FUSES FBP-250 TO 400 AND L70S-201 TO 400.

**CURRENT RATING FOR IMS103 IS 400 AMPS.



WWW.MARATHONSP.COM
1-419-352-8441

PDS 0192 REV B 5/18/09